

**FOCAL
POINT
FIRES** plc

VECTAFLAME

Coal Effect Electric Fire

USER INSTRUCTIONS

All instructions must be handed to the user for safekeeping

Revision D 11/99

Country(s) of destination: GB, IE

Focal Point Fires plc, Avon Trading Park, Christchurch, Dorset BH23 2BT

☎: (01202) 499330

Fax: (01202) 499326

www.focalpointfires.co.uk

e-mail: sales@focalpointfires.co.uk

REVIEWED	BY-
	DATE-
APPROVED	BY- <i>[Signature]</i>
	DATE 11/99

BEAB
Approved



Nemko

<i>Section</i>	<i>Contents</i>	<i>Page No.</i>	<i>Section</i>	<i>Contents</i>	<i>Page No.</i>
1.0	Important Notes	1	10.0	Fitting the Hood and Frame [^]	4
2.0	Firefronts	1	11.0	Fitting the Cast Casing*	4
3.0	Appliance Data	1	12.0	Fitting the Cast Front Fret [^]	4
4.0	Installation Requirements	1	13.0	Assembling the Fuel Bed	4
5.0	Unpacking the Appliance	2	14.0	Operating the Appliance	5
6.0	Component Checklist	2	15.0	Safety Cutout System	5
7.0	Appliance Dimensions	3	16.0	Maintenance	5
8.0	Spacer Frames [^]	3	17.0	Cleaning	6
9.0	Securing the Appliance	4	18.0	Spares	6

* *Cast Iron cased appliances only*

[^] *Brass/Black/Silver framed appliances only*

1.0 IMPORTANT NOTES

DO NOT use this heater immediately below a fixed socket outlet.

DO NOT use this heater in the immediate vicinity of a bath, shower or swimming pool.

CAUTION! *This heater must not be used in conjunction with any timer, programme or thermal control, or any other device that will switch on the appliance automatically, as a fire risk may occur if the heater is accidentally covered or displaced.*

Do not allow the heater to be covered as this may cause overheating. The appliance must not be placed near curtains or similar material. A clearance space of at least one metre should be allowed in front of the appliance.

The electrical socket that the appliance uses **MUST** be easily accessible.

2.0 FIREFRONTS

This appliance is supplied with a particular style of firefront that will ensure efficient and safe performance. It is strongly recommended that any alternative style of firefront should **NOT** be used with this appliance. Compliance with safety standards cannot be guaranteed if an alternative firefront is used.

3.0 APPLIANCE DATA

Supply Voltage	230v~50Hz
Fuse Rating	13 Amp
Heating Elements	2 x 1000W
Lighting	1 x 60W 221mm long <i>clear</i> striplight (filament type <i>not</i> fluorescent)

4.0 INSTALLATION REQUIREMENTS

The appliance is supplied with a pre-wired three pin plug (13Amp fuse rated) and 2 metres of electrical flex. It is therefore necessary for a suitable electrical socket to be located within this distance of the appliance and be easily accessible.

The appliance is suitable for installation into all proprietary surrounds with an opening of 16" by 22".

If fitted into an open natural draught fireplace, it is advisable to blank off the chimney to reduce the risk of draught through the fire which may cause the safety cut out in the fan heater to operate.

5.0 UNPACKING THE APPLIANCE

Brass/Black/Silver framed appliances.

These appliances are supplied in a single carton.

Read *all* the instructions before continuing to unpack or install this appliance.

Remove the boxes containing the coals or other loose fittings from around the firebox.

When all loose parts have been removed, carefully lift the appliance from the carton.

Check that the contents correlate with the relevant component checklist below.

Cast Iron fronted appliances.

These appliances may be supplied with the cast outer case in a separate carton from the fan heater.

Read *all* the instructions before continuing to unpack or install this appliance.

Remove the boxes containing coals or other fittings from around the firebox.

When all loose parts have been removed, carefully lift the appliance from the carton.

Where necessary, lay the casting carton down and slide the casting out. Place to one side and retrieve the ashpan door from the bottom of the carton.

Check that the contents correlate with the relevant component checklist below.

6.0 COMPONENT CHECKLIST

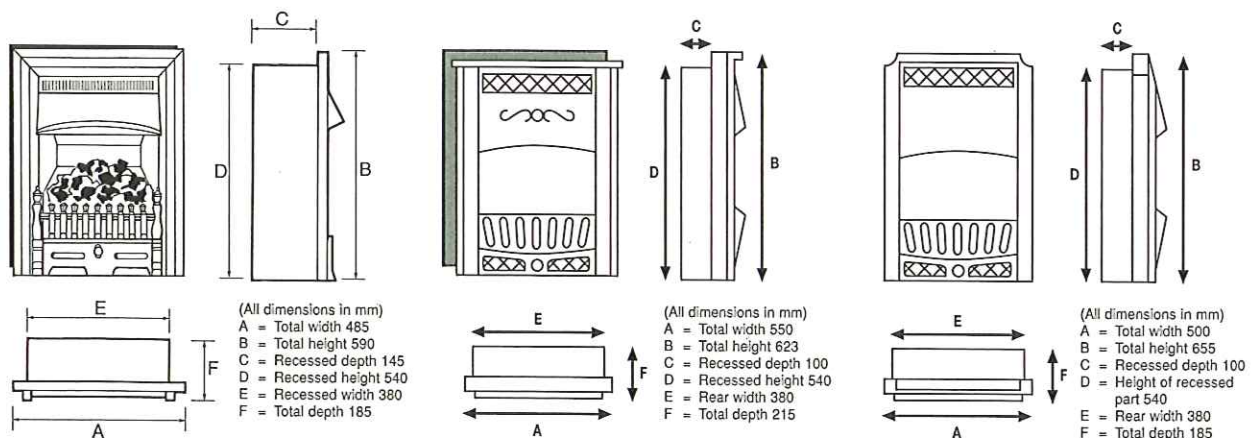
Brass/Black/Silver framed appliances.

QUANTITY	DESCRIPTION
1	Heater main body with brass, silver or black fireframe.
1	Firefront casting with ashpan door
1	Orange coloured moulded fibreglass fuel bed.
1	Box of overlay coals.
1	User instruction booklet.
1	Decorative hood.
1	Cable fixing kit.

Cast Iron fronted appliances.

QUANTITY	DESCRIPTION
<i>Box 1</i>	
1	Heater main body.
1	Orange coloured moulded fibreglass fuel bed.
1	Box of overlay coals.
1	Cable fixing kit.
1	User instruction booklet
<i>Box 2</i>	
1	Complete cast firefront.
1	Ashpan door.

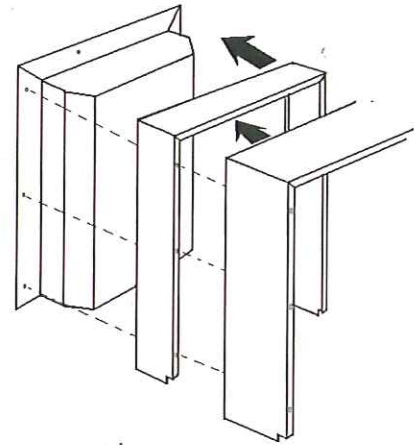
7.0 APPLIANCE DIMENSIONS



THESE DIAGRAMS ARE FOR GUIDANCE ONLY AND ARE NOT TO SCALE

8.0 SPACER FRAMES

If supplied, spacer frames are normally fitted to fires before packing. Spacer frames are available for brass/black/silver framed appliances to reduce the amount of protruding firebox casing needing to be inset into a fireplace or cut out area behind a surround. The term used to describe the protruding casing at the rear is the recess or rebate depth of the appliance. Two spacer frames are available one 60mm deep and one 95mm deep. They can be used both together to make the fire free-standing or just use one or the other to obtain the recess or rebate depth required. If using both frames, first secure them together using the self tapping screws provided. Make sure that the cable cut outs in the frames are at the back. Now screw the spacer frame or frames to the main frame of the fire using screws provided inserted from the front of the fire.



9.0 SECURING THE APPLIANCE

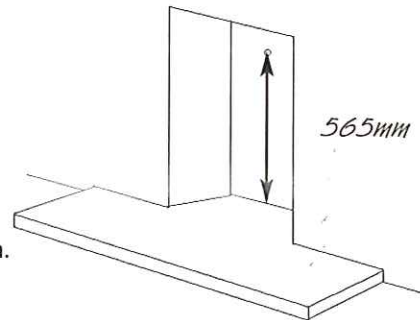
The top of the cast fronted appliances should be secured into position to prevent the weight of the casting from making the appliance unstable.

Decide upon the desired location of the appliance. Ensure that the mains cable route and socket location are satisfactory.

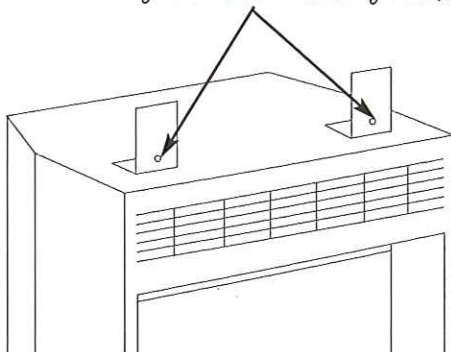
The wire cable fixing kit comprises of;

- 1 x Eyebolt
- 1 x Rawlplug.
- 1 x Cable
- 1 x Cable clamp and adjuster.

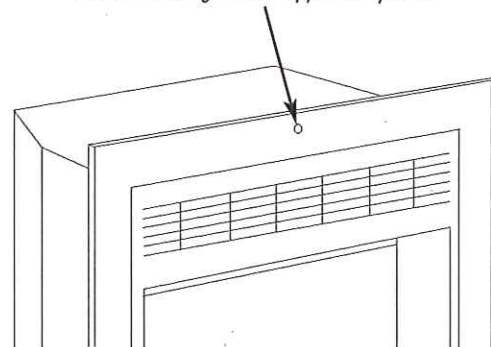
Mark the position of the mounting hole as shown in the diagram. Drill using a suitably sized bit and insert the rawlplug.



Cable securing holes in cast mounting brackets



Cable securing hole in appliance frame



Screw the eyebolt into the rawlplug.

Cast Iron fronted appliances

Thread the tensioning cable through the hole in one of the cast mounting brackets located on the top of the appliance. Feed the cable through the eyebolt and back through the hole in the other mounting bracket

9.0 SECURING THE APPLIANCE (continued)

Brass/Silver/Black framed appliances

Thread the tensioning cable through the hole in the top of the appliance frame. Feed the cable through the eyebolt, then back into the appliance through the small hole at the lower rear of the casing. Remove the lower front panel by removing the four retaining screws. Pull the cable through the hole at the back of the appliance, and thread through the higher of the two small holes in the previously removed lower front panel. Refit the panel.

Insert the appliance into the fireplace opening, centralise and pull the cable through until tight.

Thread the tensioner bolt onto the cable ensuring the nut is screwed down close to the tensioner head. Slide the screwed nipple onto the cable, pull taut and tighten nipple.

Adjust the tensioner using a suitable spanner to secure the appliance in position.

Note: DO NOT overtighten the tensioning cable. It serves only as additional stability for the appliance.

Cast Iron fronted appliances

Coil up the excess cable, and tuck neatly behind the casting bracket.

Brass/Silver/Black framed appliances

Feed the excess cable back into the appliance through the lower of the small holes in the front panel.

10.0 FITTING THE DECORATIVE FRAME AND HOOD

Brass/Black/Silver framed appliances only (NOT for appliances with full height cast iron casing)

If fitted, remove the protective film from the decorative frame. The frame may be located by one of two methods, either as a single piece component which attaches to the fan heater casing using four magnets, or as a three piece clip-on assembly.

To attach the three-piece assembly, first clip the side sections over the side edge of the heater frame. The top section of the three piece frame can then be centralised over the top of the sides pieces and pushed firmly down onto the top bar of the heater frame. Remove any remaining protective plastic film.

To fit the decorative hood, locate the four hooks into the corresponding slots in the appliance casing. Press inwards and down to secure.

11.0 FITTING THE DECORATIVE CASING - Full height black iron castings only.

Cast Iron fronted appliance

The decorative casing frame may now be fitted to the appliance.

Hook the casing assembly onto the brackets on top of the appliance main body, ensuring that it is properly located and cannot fall forwards.

Fix the casting to the appliance using the long self tapping screws through the two holes on the casing front face, and into the two holes in the appliance. When secure, slide the ashpan door into place.

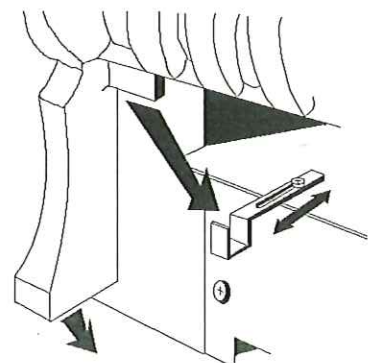
12.0 FITTING THE CAST FRONT FRET - 1/3 height - brass and black decorative fronts only.

Brass/Black/Silver framed appliances only

The cast front fret may now be fitted to the appliance.

The fret hooks onto the fire using two small brackets screwed to the front edge of the metal base where the fuel bed rests.

Locate the small metal lip found on the inside edge of the firefront legs onto the brackets mounted below the fuel bed on the front of the appliance. The brackets may be adjusted so that the fret sits firmly against the appliance frame. When secure slide the ashpan door into place. The design of the fire front may vary depending on model type.



13.0 ASSEMBLING THE FUEL BED

Ensure that the fuel bed is correctly located within the base of the appliance.

Remove the loose coals from the box and carefully arrange into position over the fuel bed, using larger pieces at the sides to ensure the fuel bed glow is not reduced. Ensure that the coal pieces are secure and not liable to displacement.

14.0 OPERATING THE APPLIANCE

Check that the fan outlet is not covered or obstructed in any way, and ensure the power to the fire is switched on.

The appliance is controlled using three switches, mounted either on the upper right hand side of the fire casing (cast iron fronted appliances) or underneath the decorative hood (brass/black/silver framed appliances)

The top or left switch controls the fuel effect only, which can be used independently of heat for visual effect only.

The middle switch operates the fan heater on the LOW setting (1kW).

The lower or right switch operates the fan heater on the HIGH setting (2kW).

To operate the fire, the top/left switch must be turned on first, followed by the middle switch for the LOW setting, or both the middle and lower/right switches for the HIGH setting.

It is not possible to obtain heat from the appliance without first switching on the top/left switch in conjunction with either the middle or both the middle and lower/right switches.

15.0 SAFETY CUTOUT SYSTEM

This appliance has a safety cutout system fitted which will activate if the air inlets or outlets are obstructed. For safety reasons the fire will NOT switch on again automatically, the following procedure must be carried out before the fire can be operated.

Note: The visual effect will remain operational if the cutout is activated, it is only the fan heater which is prevented from working.

Switch OFF the appliance *at the wall socket or outlet*.

Leave the fire OFF for a period of no less than 10 minutes, ensuring all obstructions are removed.

Switch the appliance ON *at the wall*.

Ensure the appliance is turned ON at the control switches.

If the fire fails to operate correctly, repeat the above procedure. If an attempt to switch on the appliance is made before the safety cutout has reset, the appliance may cutout for a further period of time. If the sequence has been followed correctly and the appliance still fails to function, check the fuse in the wall outlet. If this is not the cause, call an electrician or maintenance engineer.

16.0 MAINTENANCE

ALWAYS DISCONNECT THE APPLIANCE FROM THE MAINS SUPPLY BEFORE UNDERTAKING ANY MAINTENANCE.

Excluding lamps and fuses, use only genuine spare parts available from your supplier.

Replacement lamps must be of the same wattage and specification as those stated in Section 3.0 Appliance Data.

The fuel effect bulb can be replaced by removing the cast front fret or casing, overlay coals and orange fuel bed. The bulb may then be removed by flipping over the small cover on the right hand side of the bulb, and then pulling the bulb gently outwards and to the left. The new striplight must be installed by inserting the left end first into the location hole, and pressing the right hand side into position. The lever must then be closed FULLY for the bulb to operate. Replace the fuel bed, coals and cast front.

17.0 CLEANING

Before carrying out any of the following operations, ensure the fire is OFF and COLD.

There is no specific requirement for care of the fire other than a regular cleaning of the general appliance. The loose coals may be dusted in situ using a feather duster (or similar) or may be removed and individually washed. The coals must be thoroughly dried before refitting.

The decorative cast iron casing is not removable for cleaning. A wipe with a dry cloth is normally sufficient, but on more stubborn stains it is permissible to use a damp cloth with a mild household detergent, followed by a wipe with a dry cloth. DO NOT use abrasive cleaners as they can damage the finish. Brass parts of the fire may be cleaned using a brass cleaner. Be careful when removing the cast front fret or fender as the loose coals will fall out.

18.0 SPARES

Refer to Section 3.0 Appliance Data for lamp and fuse specification.

Excluding lamps and fuses, use only genuine manufacturers spare parts available from your supplier

IF IN ANY DOUBT DURING ANY STAGES DETAILED IN THESE INSTRUCTIONS, PLEASE CONSULT A QUALIFIED ELECTRICIAN.